



Chrysler Town & Country

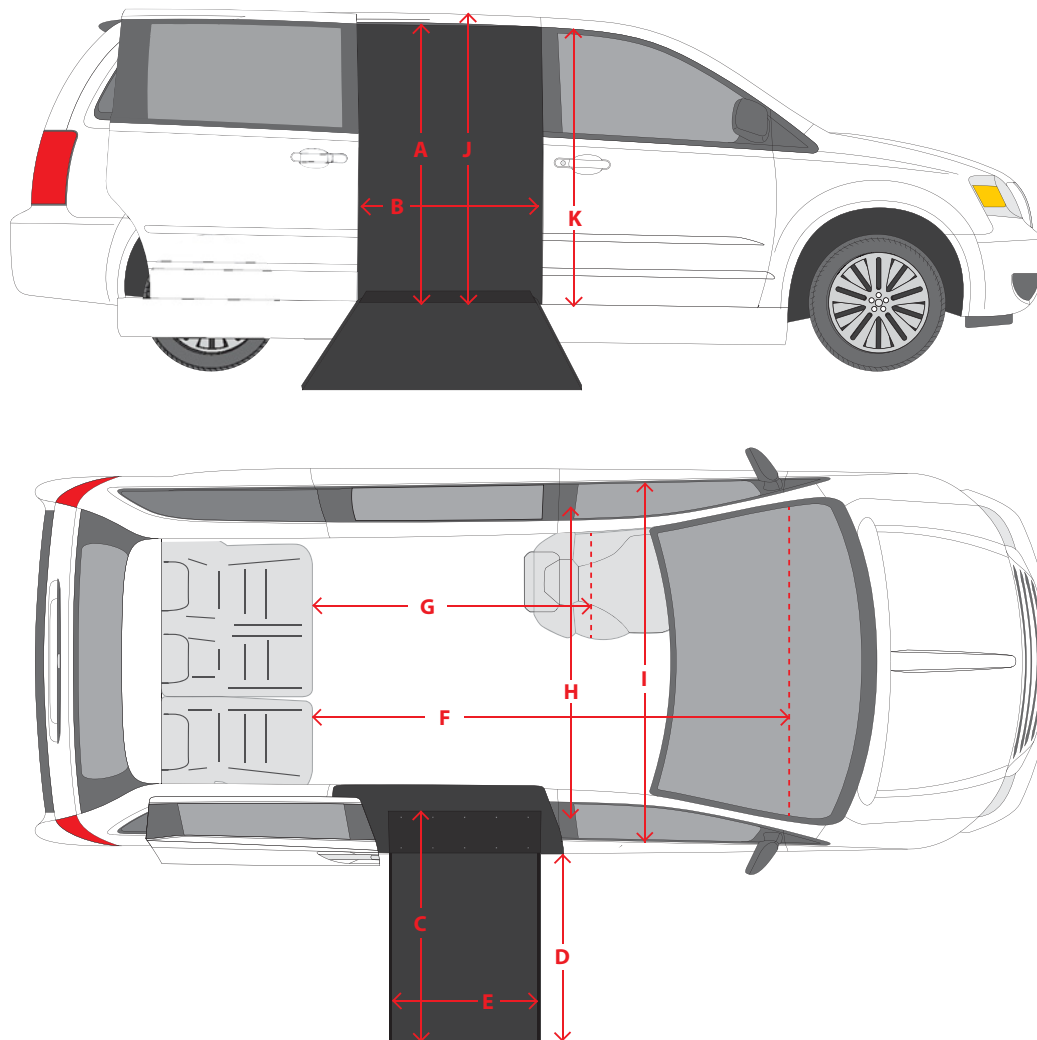
Standard features of BOTH Northstar and Summit Conversions

- E-coated for corrosion resistance
- 11" maximum drop
- PowerKneel™ optimized for reliability & noise reduction
- FMVSS 301R compliant
- Hidden spare tire gives you plenty of cargo space
- Removable front seat bases
- 600 lb ramp capacity

Conversion specifications

- The Northstar in-floor ramp comes standard with the SURE DEPLOY™ backup system
- The Summit fold-out ramp comes standard with an anti-rattle mechanism





specifications

	Chrysler Northstar	Chrysler Summit
A Door opening height	55.25"	54.0"
B Door opening width	31.25"	31.25"
C Ramp length (angled ramp and transition plate)	58.5"	50.25"
D Ramp length (distance ramp protrudes from vehicle)	44.0"	41.5"
E Usable ramp width	29.25"	28.75"
F Overall floor length	85.5"	85.5"
G Length (from back of seat bases to kickplate)	58.0"	58.0"
H Floor width at B pillar	60.0"	60.0"
I Floor width at front doors	61.0"	61.0"
J Interior height at center position	58.5"	58.5"
K Interior height at drivers position	57.25" w/o sunroof	57.25" w/o sunroof

Specifications subject to change without notice